



CHANTLAND

P V S

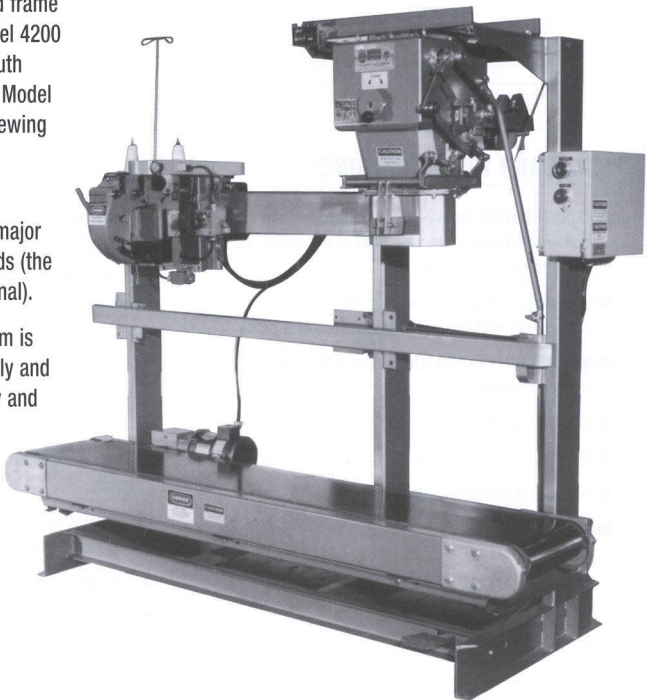
Material Handling Solutions

PORTA-LINE SYSTEM

MODEL 4204

DESIGN FEATURES:

- A heavy-duty unitized frame complete with a Model 4200 Portaweigh open mouth bagging scale, and a Model 4201 medium-duty sewing conveyor.
- This system will accommodate most major brand of sewing heads (the sewing head is optional).
- The Porta-Line System is designed to accurately and efficiently fill, convey and close bags.



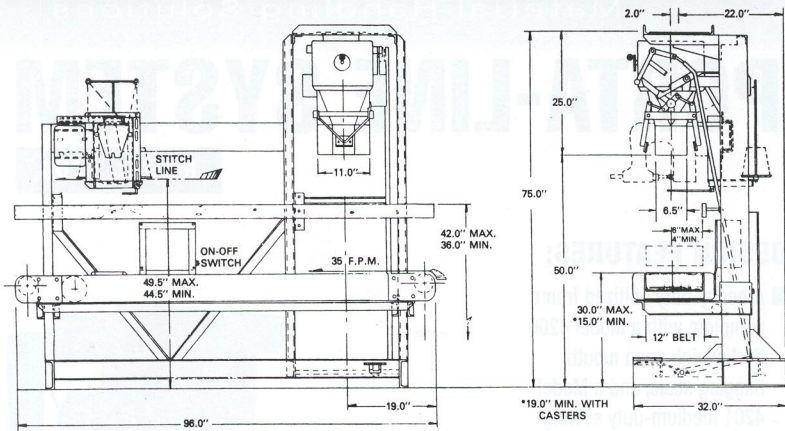
SOLUTIONS

www.chantland.com

PACKERS • CONVEYORS • PALLETIZERS • SYSTEMS

PORTA-LINE SYSTEM

MODEL 4204



STANDARD SPECIFICATIONS:

- **CONSTRUCTION:** heavy-duty channel iron and angle iron welded mild steel. One coat of industrial primer and one coat of enamel
- Horizontally adjustable sewing head mount with TEFC motor and drive, thread spindles and guide
- **MEDIUM DUTY CONVEYOR:** model 4201 with TEFC motor and drive
- **BAGGING SCALE:** Model 4200 portaweigh
- **ELECTRICAL CONTROLS:** NEMA 12 (dust tight)
- Foot pedal actuator start for bagger
- **CHOICE OF SPOUT SIZES:** 6 1/2" x 11" or 5 1/2" x 9"

OPTIONS:

- **CONSTRUCTION:** T304 stainless steel on contacting surfaces
- **HEAVY DUTY SEWING CONVEYOR:** Model 4214 with 3/4 hp TEFC motor and drive
- **V-series 90-degree conveyor** with 1 hp TEFC gearmotor
- **BAGGING SCALE:** Model 4236 Power Packer electro-pneumatically controlled
- Mechanical hand crank for quickly adjusting conveyor heights
- **ELECTRICAL CONTROLS:** NEMA 4 (watertight); NEMA 9 (explosion-proof)
- Foot switch for one-man operation
- **PAINT:** white urethane or stainless steel paint
- Heavy duty casters with locks
- **RECEIVING HOPPER:** 3 1/2 cu foot capacity
- **UTILITY REQUIREMENTS:** 230/460 volts 3 phase, 60 hz
- **SHIPPING WEIGHT:** 1900 lbs
- **CRATE DIMENSIONS:** 4' w x 8' l x 7' h