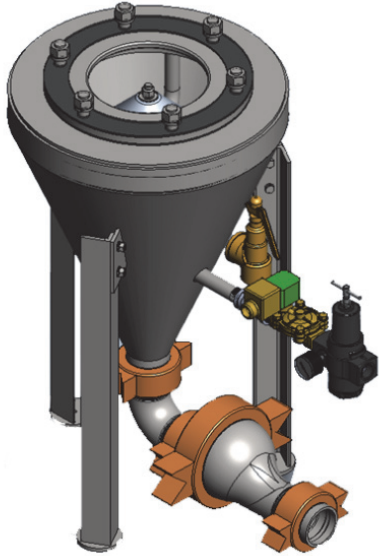


CycloLok Conveyor



Simple Dust Reclaim – The CycloLok is a gravity loaded, bottom discharged low-volume, dense phase conveyor with only one moving part. It is best suited for highly abrasive and friable materials in especially harsh environments, such as high temperature dust reclaim.

Capacity is rated to 2000 lbs/hr and temperature is rated to 450°F.

This unit consumes minimal compressed air and is simple to install and maintain.

Standard solid-state controls offer reduced supervision for automated operations.

Standard

Carbon Steel Construction; Outlet Check Valve; 2.5" Convey Outlet Line Size; 120 VAC/60 Timing Relay; NEMA 4 Type Enclosure for Non-Classified Areas; Support Legs

Standard Options

Stainless Steel; Epoxy Coated CS; 24 VDC Controls

Custom Options

Hazardous Location Controls

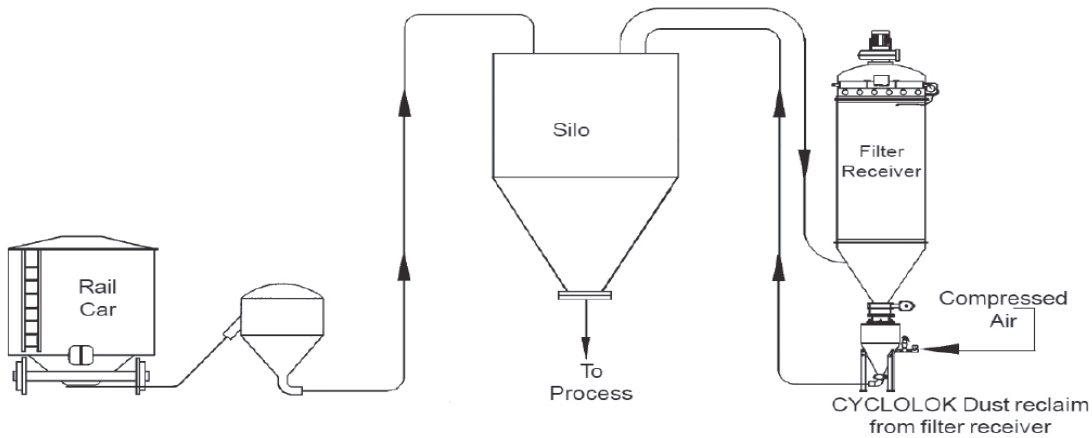
Application – Dust Reclaim and Low Volume Transfer

Low Air Usage – Typical consumption is 20-30 SCF Compressed Air Per Cycle

Requirements – 120 VAC / 60 Hz
80-100 PSIG Clean, Dry Compressed Air

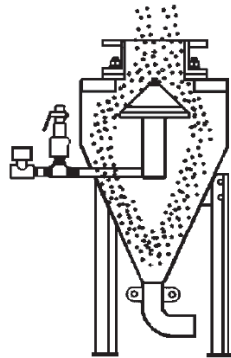
CycloLok® Transfer

Typical Installation Example



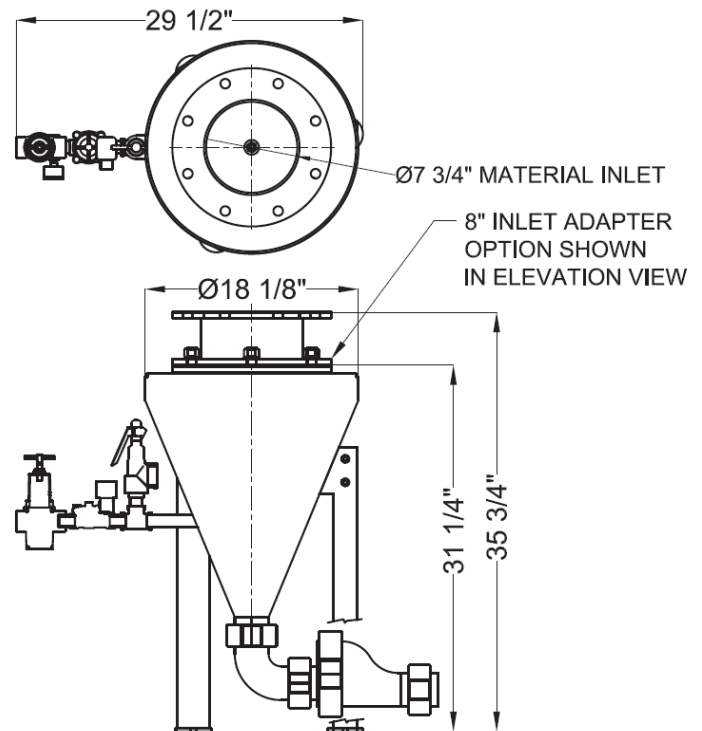
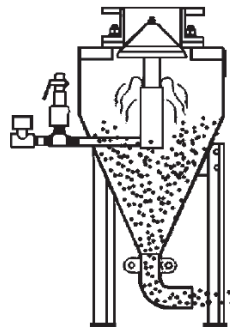
Load Cycle:

In the load cycle, the inlet valve is open and the air supply valve is closed. Material flows by gravity into the vessel. At a predetermined time interval, the load cycle ends.



Discharge Cycle:

The air supply valve opens. The air rushing into the tank forces the inlet valve closed. The same air pressurizes the vessel, forcing the material into the convey line. At a predetermined time interval, the convey cycle ends and the air valve closes, returning the unit to the load cycle.



* Dimensions subject to change without notice

Contact sales@cyclonaire.com

cyclonaire
pneumatic conveying solutions

(800) 445-0730 | cyclonaire.com