



CHANTLAND

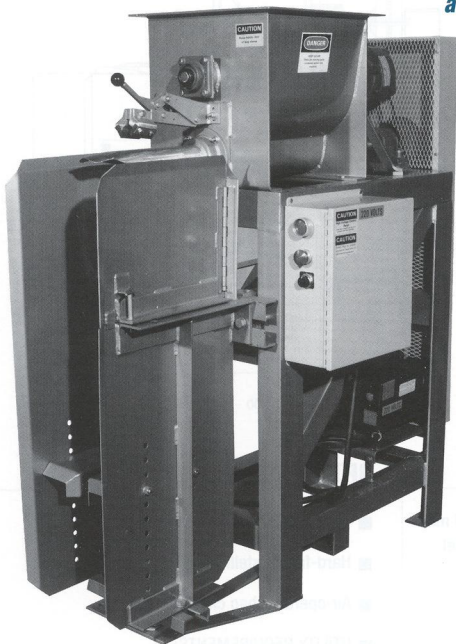
PVS

Material Handling Solutions

COMPACTION BAGGER

MODEL 4189

*A heavy-duty volumetric
auger type valve bag packer*



DESIGN FEATURES:

- Designed to fill fibrous or compressible materials compactly into valve bags.
- Ideal for products marketed by volume.
- Material is vibrated in the bag by an adjustable stroke shaking mechanism until the fill completion signal is detected by an externally adjustable current-sensing relay which stops the auger and automatically establishes an accurate fill.
- Stainless steel units are also available.

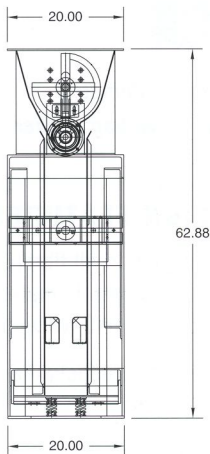
www.chantland.com

SOLUTIONS

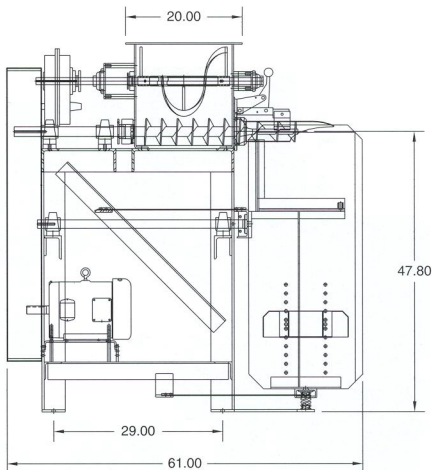
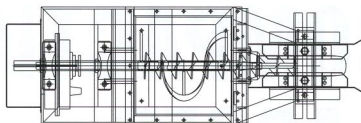
PACKERS • CONVEYORS • PALLETIZERS • SYSTEMS

COMPACTION BAGGER

MODEL 4189



NOTE: Specifications subject to change without notice



STANDARD SPECIFICATIONS:

- **CONSTRUCTION:** heavy-duty formed and welded mild steel. One coat industrial primer, one coat enamel
- **MOTOR:** 7.5 hp TEFC
- **NEMA 12 electrical controls** (dust tight)
- **Mechanical bag clamps**
- **Adjustable to most bag sizes**

NOTE: testing may be required to determine obtainable speeds and fill consistencies on your product.

OPTIONS

- **T304 stainless steel** on contacting surfaces
- **Hard-faced (stellite) auger** for abrasives
- **Air-operated bag clamps**
- **UTILITY REQUIREMENTS:**
Electrical: 220/440 volts – 3 ph – 60 hz
- **SHIPPING WEIGHT:** 1100 lbs
- **CRATE DIMENSIONS:** 4 ft l x 4 ft w x 5 ft h