



# CHANTLAND

PVS

Material Handling Solutions

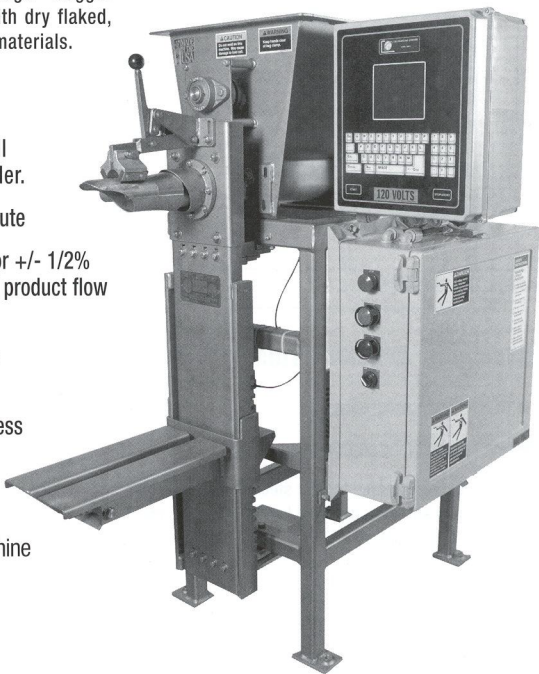
## WEIGHMASTER VALVE PACKER

MODEL 4190

**H**heavy duty gross weigh auger bagger for filling valve-type bags with dry flaked, powdered, pelleted, or granular materials.

### DESIGN FEATURES:

- Scale beam weighing or load cell weighing with electronic controller.
- Speeds up to (6) 50# bags per minute
- Accuracy of +/- 1/4% (load cells) or +/- 1/2% (scale beam) obtainable with good product flow and consistent bulk density.
- 20# to 110# weight range on bags  
50# to 220# on drums
- Available with #304 or #316 stainless steel with foodgrade welding and polish (when required) on all contacting surfaces.
- 5# - 25# bags available with machine alterations



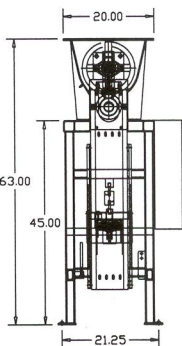
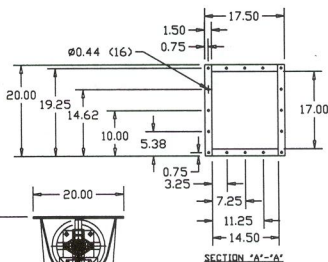
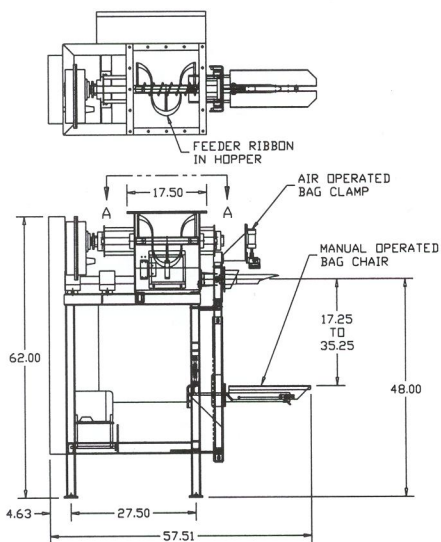
# SOLUTIONS

[www.chantland.com](http://www.chantland.com)

PACKERS • CONVEYORS • PALLETIZERS • SYSTEMS

# VALVE PACKER WEIGHMASTER **MODEL 4190**

© 2000 The Chantland-PMS Company, Humboldt, IA



## OPTIONS

- NEMA 9 or 4 electrical controls
- UTILITY REQUIREMENTS:  
Pneumatic: 1.5 cfm @ 80 psi max  
Electrical: 220/440 v. – 3 ph – 60 hz
- SHIPPING WEIGHT: 1100 lbs
- CRATE DIMENSIONS: 4' w x 6' l x 6' h

## STANDARD SPECIFICATIONS:

- NEMA 12 electrical controls
- Mechanical tilting bag chair
- Construction: welded tubular steel frame, mild steel contacting surfaces, one coat industrial primer, one coat enamel paint
- Osha type clean out door
- Manually operated bag clamps
- Scale beam weighing on pivoted hardened knife edges
- Motor: 5 hp tefc special duty designed for frequent starts

- Feeder ribbons, spiked or paddle agitators in primary hopper for sluggish materials
- Foodgrade construction
- CONSTRUCTION: T304 stainless steel on contacting surfaces
- Corrosive atmosphere package with anodized cylinders, phenolic bushings, ss fasteners, pvc plastic fittings
- Automatic start actuator
- Air-operated bag clamps
- Auto air-operated bag discharge chair
- Hard-faced auger (stellite) for abrasive materials
- Drum filling attachment and cradle
- Stainless steel paint