



CHANTLAND

P V S

Material Handling Solutions

GRAVITY PORTA-VALVE VALVE BAGGER

MODEL 4199

Hheavy duty gross weighing gravity filling valve bagger. For use in filling valve bags with high density free flowing products such as steel shot.

DESIGN FEATURES:

- 25# to 220# weight range.
- Speeds up to (10) 50# bags per minute.
- Accuracies of +/- 1/2% are obtainable with good product flow and consistent bulk density.
- Fully mechanical.
- Complete with mounting stand and connector flange to customer's product supply hopper.



SOLUTIONS

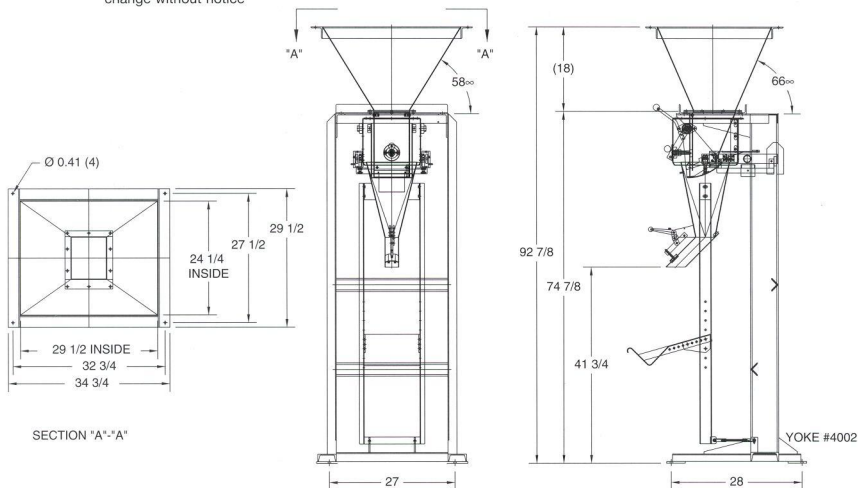
www.chantland.com

PACKERS • CONVEYORS • PALLETIZERS • SYSTEMS

GRAVITY PORTA-VALVE VALVE BAGGER

MODEL 4199

NOTE: Specifications subject to change without notice



STANDARD SPECIFICATIONS:

- Mild steel construction with one coat industrial primer and one coat enamel
- Scale beam weighing on special hardened knife edges
- Mechanical bag clamps
- SPOUT SIZE: 3" od

NOTE: testing may be required to determine obtainable speeds and accuracies on your product.

OPTIONS

- T304 stainless steel on contacting surfaces
- Stainless steel paint
- Mounting stand with surge hopper.
- Air jet bag inflator
- SHIPPING WEIGHT: 450 lbs
- CRATE DIMENSIONS: 5 ft. L x 3 ft w x 4 ft h