



CHANTLAND

P V S

Material Handling Solutions

PRESSUREMATIC AIR BAGGER

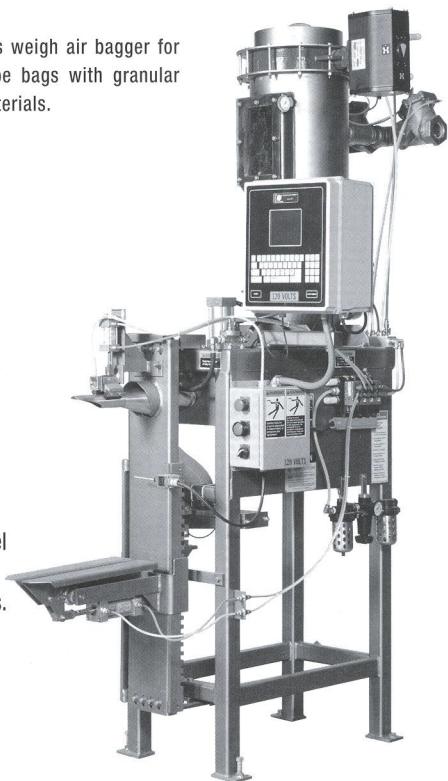
MODEL 4213

Hheavy-duty gross weigh air bagger for filling valve-type bags with granular or free flowing materials.

DESIGN FEATURES:

- Standard units: (shown) with load cells and electronic controls. (not shown) with scale beam.
- Speeds up to (10) 50# bags per minute
- Accuracy of +/- 1/2 of 1% (load cells) or 1/2 of 1% (scale beam) obtainable with good product flow and consistent bulk density.
- 20# to 110# weight range on bags
- Available with #304 or #316 stainless steel with foodgrade welding and polish (when required) on all contacting surfaces.
- All electronic scale component parts meet handbook 44 specifications.

NOTE: Testing may be required to determine obtainable speeds and accuracies on your product.



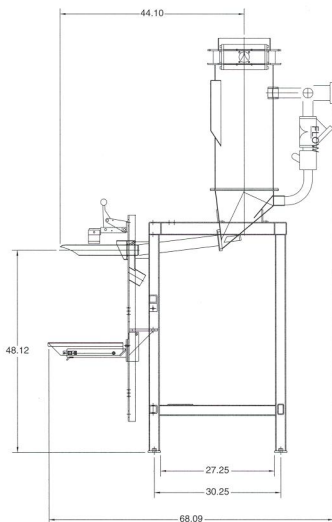
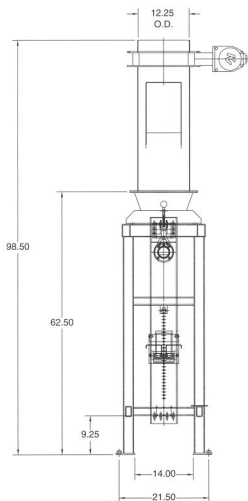
SOLUTIONS

www.chantland.com

PACKERS • CONVEYORS • PALLETIZERS • SYSTEMS

PRESSUREMATIC AIR BAGGER

MODEL 4213



STANDARD SPECIFICATIONS:

- Air-operated bag clamps
- Tilting mechanical bag chair
- Scale beam weighing on pivoted hardened knife edges
- CONSTRUCTION: Welded tubular steel frame. Mild steel contacting surfaces. One coat industrial primer, one coat enamel paint

OPTIONS

- CONSTRUCTION: T304 stainless steel on contacting surfaces
- Stainless steel paint
- Highly corrosive atmosphere package with anodized cylinders, phenolic bushings, stainless steel fasteners, PVC plastic fittings.

OPTIONS (CONTINUED)

- Load cell weighing with preset digital controller
- Auto-start actuator
- Air-operated bag discharge chair
- Food-grade construction and polish to meet FDA standards
- Transition hoppers for multiple spout units
- Supply hoppers available in most sizes
- Low pressure air pump assembly with a positive displacement rotary pump
- UTILITY REQUIREMENTS: 12 cfm @ 80 psi max
- SHIPPING WEIGHT: 1000 lbs
- CRATE DIMENSIONS: 4' w x 6' l x 6' h

NOTE: Specifications subject to change without notice.